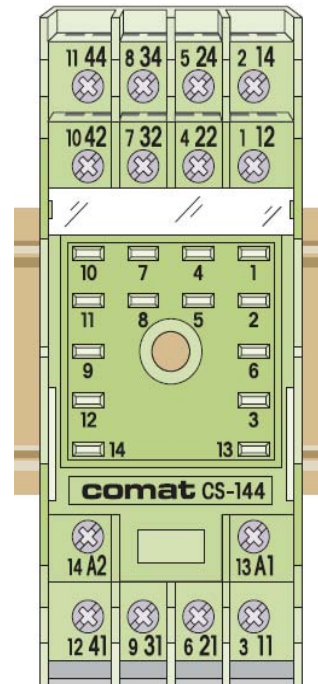


CS-144

1 Characteristics

- High contact reliability
- High quality materials
- Fully compatible with CS-14



2 Description

The 14-pin socket CS-144 goes with the 4 pole power relays (C4 series) and is fully compatible with his previous version CS-14. This socket provides high contact reliability due to the new design of the connection brackets. The CS-144 is made of high quality plastic with a high oxygen index of 35%, smoke index of F2 and it is halogen free.

Technical specifications subject to change without notice

3 Ordering information

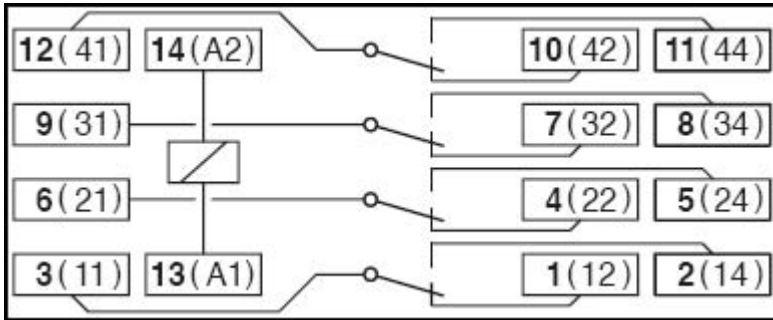
Comat Socket 14-pin **CS-144**

4 Accessories

Retaining clip **S3-CMG**

5 Technical data

5.1 Circuit and connection diagram



5.2 General data

Poles	4 (for relays with four change-over contacts, C4 series)
Protection class	IP20
Pollution degree	3

5.3 Electrical data

Rated operational voltage	250 V
Rated impulse withstand voltage	4 kV
Maximum rated current	10 A
Insulation (Dielectric strength V_{rms} , 1min)	
Adjacent terminals	2.5 kV
All terminals / Coil	2.5 kV
All terminals / DIN rail	2.5 kV

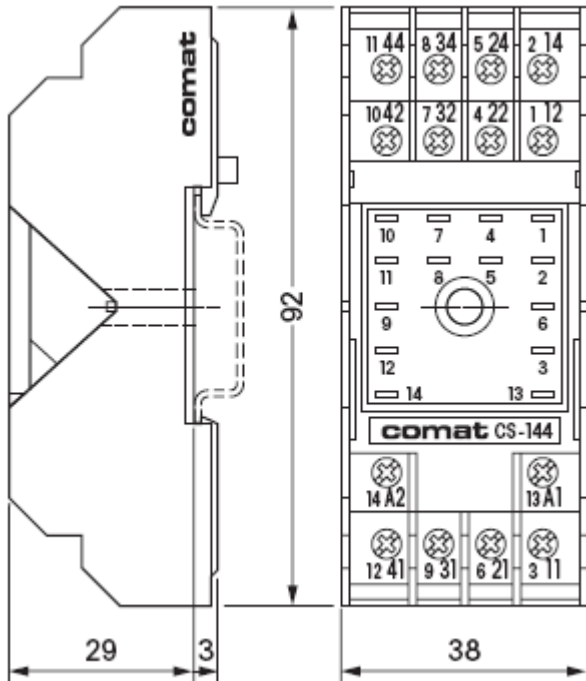
5.4 Mechanical data

Materials	
Body	Lexan EXL9330
Label and clip	POM
Connection	
Min. solid wire / stranded wire	2 x 0.25 mm ² / AWG24
Min. solid wire / stranded wire	2 x 2.5 mm ² / AWG14
Screw	M3.5
Max. screw torque	1.2 Nm
Screw head	Philips / slot (Combo)
Connection type	Plug-in flat terminal 3 x 0.5 mm
Mounting	DIN rail TS35 or mounting plate
Weight	80 g

5.5 Environmental conditions

Operating temperature range	-40 °C to +60 °C
-----------------------------	------------------

6 Dimensions



7 Standards, Approvals, Conformities



Lloyd's



(approvals in process)

EN 60947 (over voltage category III, material group IIIa)



Kühn Controls AG

Notes:

You want more information about this product, please call us: tel: +49 (0)7082-940000 or send us a fax: +49 (0)7082-940001, or email: sales@kuehn-controls.de or visit our Website: www.kuehn-controls.de